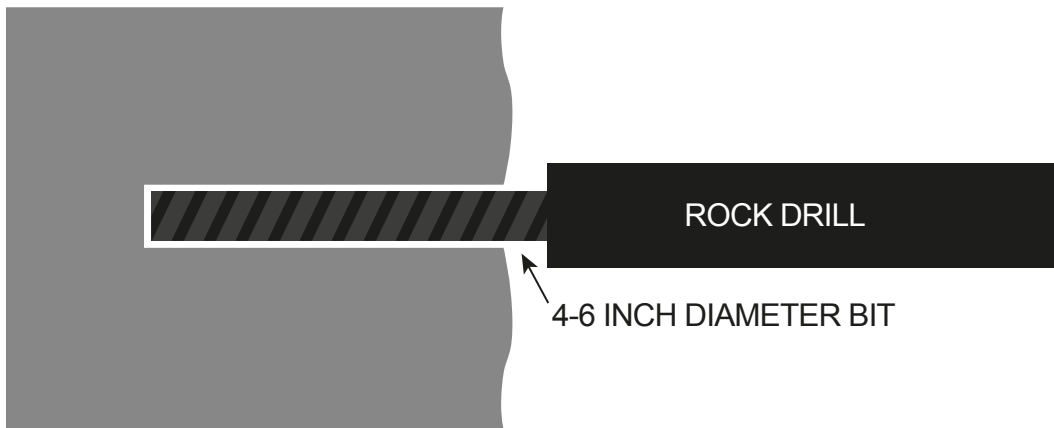


TECHNICAL DRAWING:

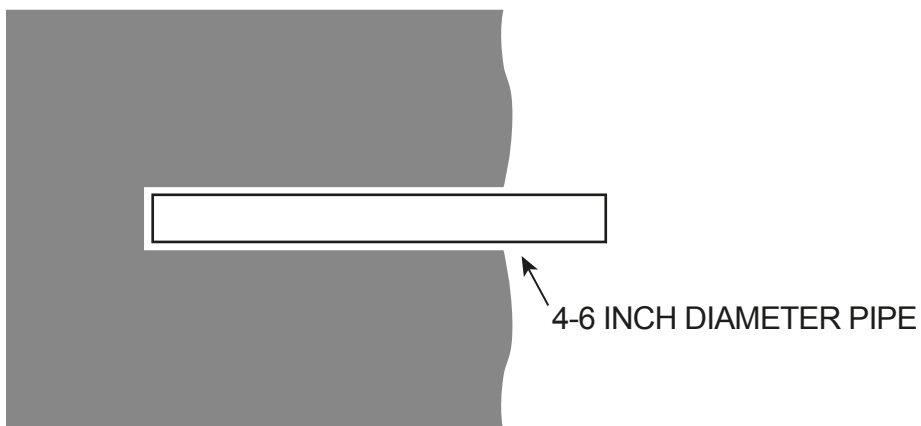
## DE-GAS PIPE ANNULUS GROUT (MINING) WITH HYPERFLEX

NOT TO SCALE

1: Drill hole.



2: Insert pipe into hole.



CALL: 724.625.4550

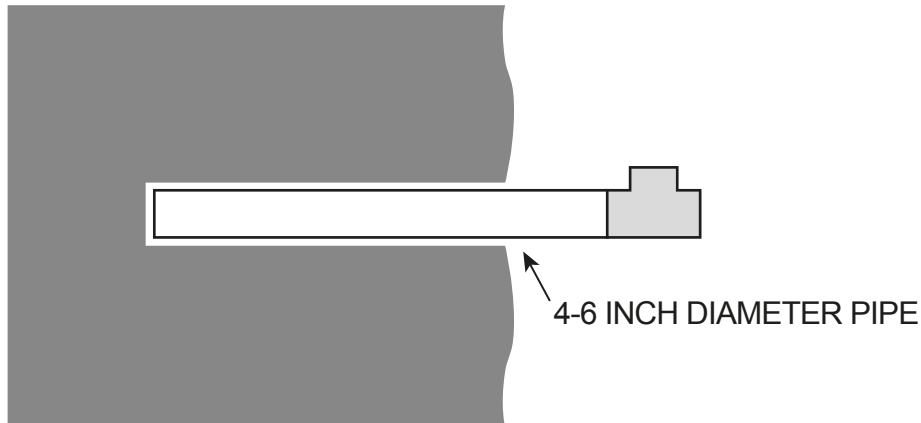
## WORLD CLASS WATER SEALING SOLUTIONS

TECHNICAL DRAWING:

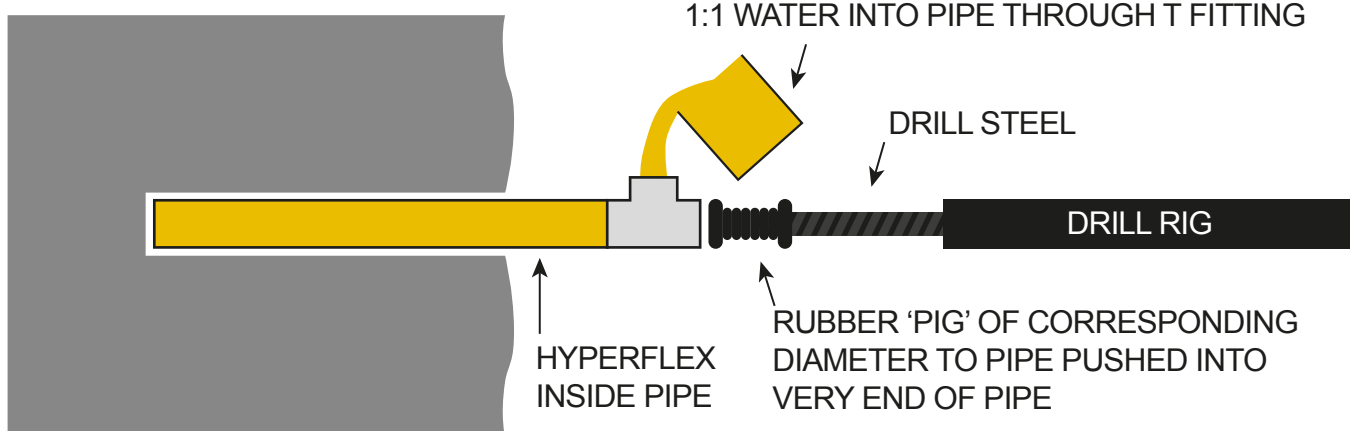
### DE-GAS PIPE ANNULUS GROUT (MINING) WITH HYPERFLEX

NOT TO SCALE

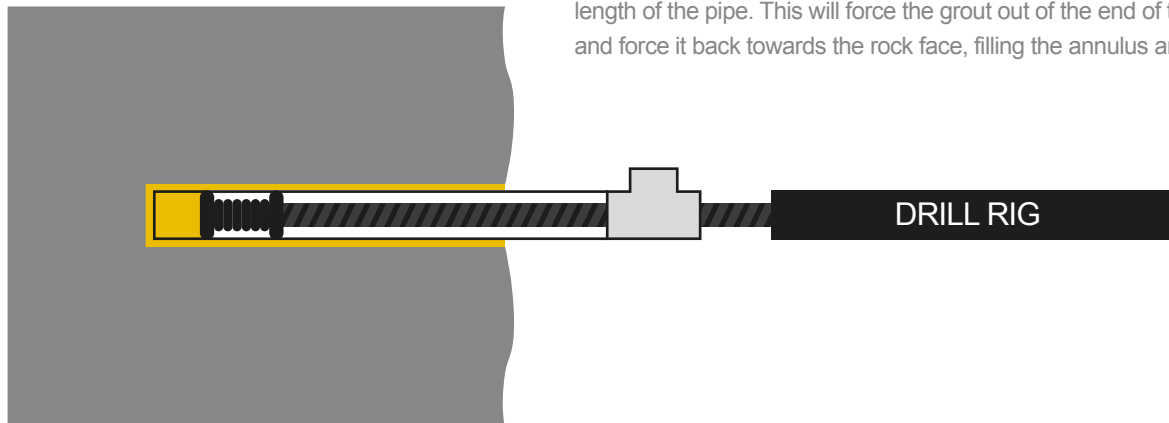
3: Attach T adapter to end of pipe. Open T valve.



4: Introduce HyperFlex.



5: Using a drill rig with a 'Pig' of corresponding diameter attached to the end of the drill steel, push the pig forward the entire length of the pipe. This will force the grout out of the end of the pipe and force it back towards the rock face, filling the annulus area.



CALL: 724.625.4550